

VIBRO DISCHARGER

The Vibro Discharger „HVKK“ is used to discharge granular bulk materials (e.g. bran) from silos, containers or filters with a conical outlet.



FUNCTION

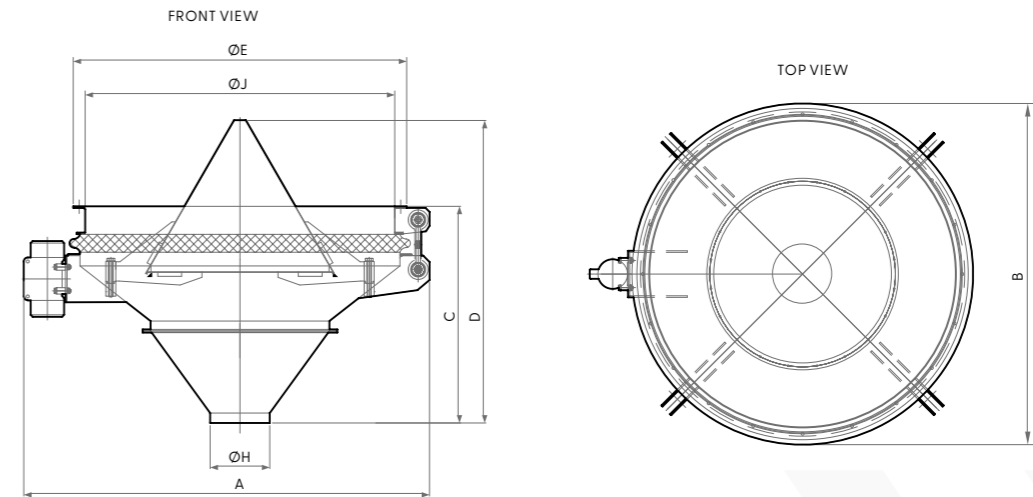
The vibro discharger is attached to the hopper of the silo using a flange connection. A vibration motor, attached to the side of the machine, causes the internal deflector to vibrate, which in turn stimulates the granular bulk material to flow. In order to avoid solidification of the product, the vibro discharger may only be activated for a short time.

FEATURES

- > Easy assembly with steel flange
- > Almost complete emptying
- > Sturdy construction
- > High discharge capacity
- > Vibrations are only slightly transmitted to the silo/ building
- > Suitable for use in potentially explosive areas (inside/outside)

OPTIONS

- > Stainless steel construction
- > Support for subsequent conveyers
- > Differing outlet diameter
- > Custom painting (standard: RAL9003/ RAL3003)



TECHNICAL DATA

Type	Motor Power [kW]	Activation Area [m²]	Weight [kg]		Volume [m³]
			Net	Gross	
HVKK-100/20	0,35	0,72	245	390	2,5
HVKK-100/30				385	2,3
HVKK-130/30	0,525	1,24	415	640	4,8
HVKK-130/50				630	4,3
HVKK-160/30	0,55	1,90	525	845	8,1
HVKK-160/50				830	7,5
HVKK-200/30	0,55	3,01	610	1.025	11,5
HVKK-200/50				1.010	10,6

DIMENSIONS (MM)

Type	A	B	C	D	ØE	ØH	ØJ
HVKK-100/20	1.400	1.100	783	851	1.058	200	958
HVKK-100/30			714	783		300	
HVKK-130/30	1.765	1.430	913	1.173	1.378	300	1.258
HVKK-130/50			776	1.035		500	
HVKK-160/30	2.060	1.730	1.090	1.524	1.678	300	1.558
HVKK-160/50			953	1.386		500	
HVKK-200/30	2.470	2.130	1.246	1.524	2.090	300	1.958
HVKK-200/50			1.108	1.386		500	